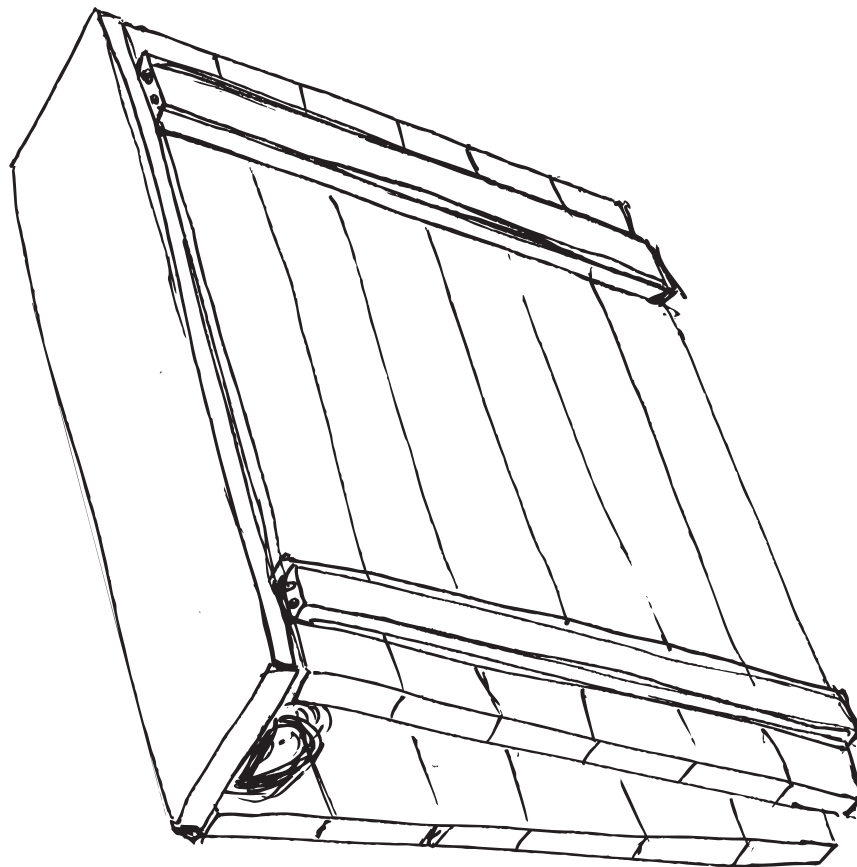


Standard Wooden Binder/Scrapbook for 8.5" x 11" paper.
Using a 1" Binder Ring and 3/8", (.375") thick wood parts.



Wood Parts:

- Outer Spline, (1) 2 1/4", (2.25") x 11 3/4", (11.75")
- Inner Spline, (1) 1 9/16", (1.5625") x 11 3/4", (11.75")
- Cover Slats, (12) 1 3/4", (1.75") x 11 3/4", (11.75")
- Cover Straps (4) 1 1/8", (1.125") x 10 1/2", (10.5")

Hardware (Nickel):

- Hinges, (2) 1" x 1 1/2", (1.5") SBH #A322
- Strap Screws, (8) 1/2", #2 Flat Head Screws SBH #E122-2F
- Spline Screws, (12) 3/8", #2 Flat Head Screws SBH #E382-2F
- 1" Binder Ring (1) SBH #R102
- Binder Ring Screws (2) 3/4", #6 or #8 Flat Head Screws

- PLAN: itinkr.com/Wooden_Binder_Scrapbook.pdf
- HARDWARE: [Small Box Hardware.com](http://SmallBoxHardware.com)
- VIDEO: YouTu.be/eTL2osTVwNk
- FEEDBACK: www.itinkr.com/?p=165